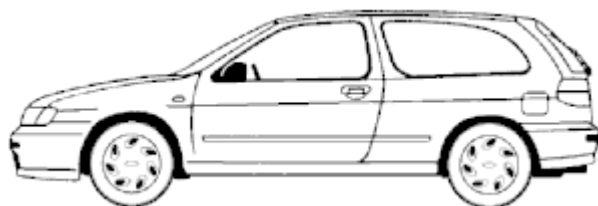


# Nissan Almera (N15) 1995-1996

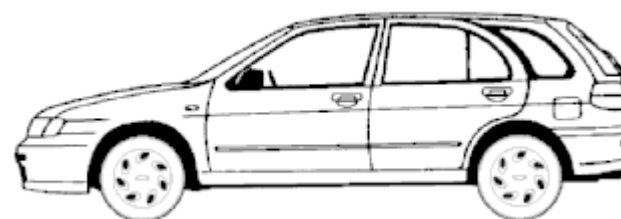
## Identification

### General

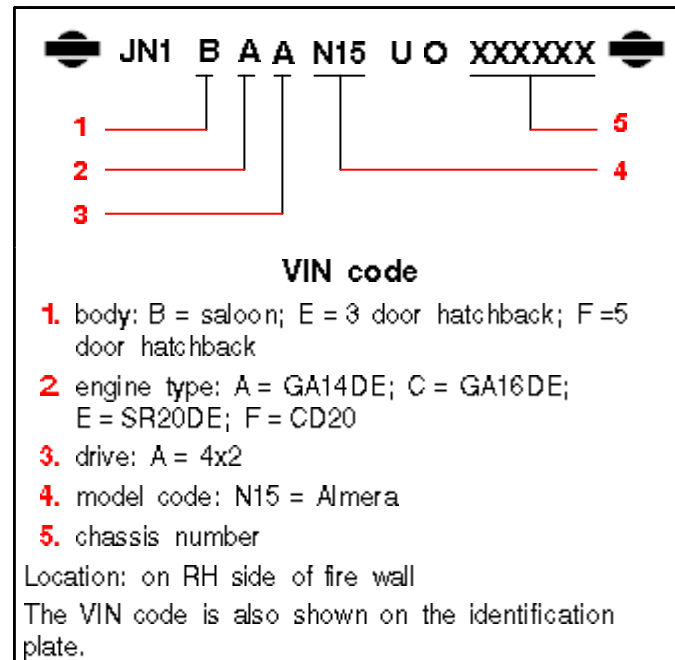
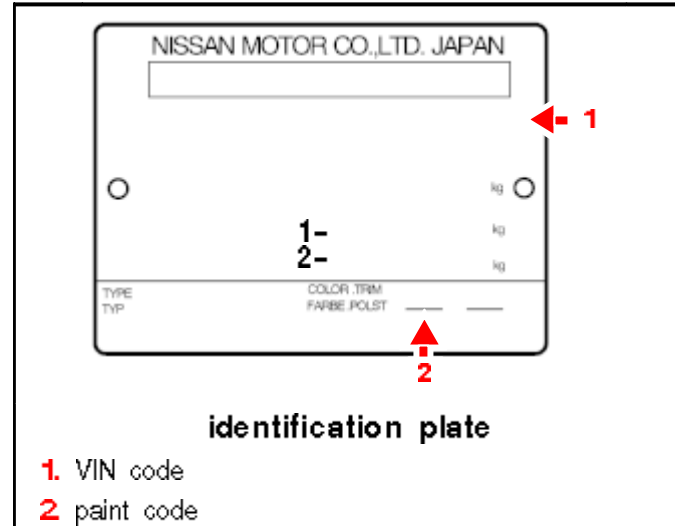
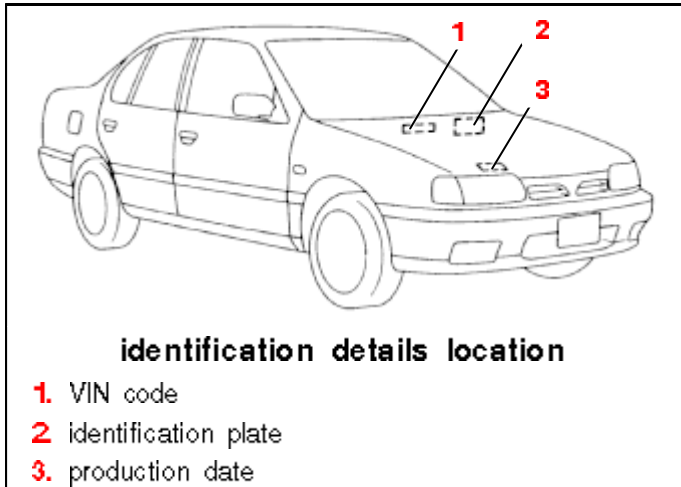
version	engine			driveline
<b>petrol engines</b>				
1.4 i	1392 cm <sup>3</sup>	64 kW / 87 hp	GA14DE	transaxle: RS5F30A
1.6 i	1597 cm <sup>3</sup>	73 kW / 100 hp	GA16DE	transaxle: RS5F31A automatic transmission/differential: RL4F03A
2.0 i	1998 cm <sup>3</sup>	105 kW / 143 hp	SR20DE	transaxle: RS5F32A automatic transmission/differential: RL4F03A
<b>diesel engine</b>				
2.0 D	1974 cm <sup>3</sup>	55 kW / 75 hp	CD20	transaxle: RS5F31A



3 door hatchback

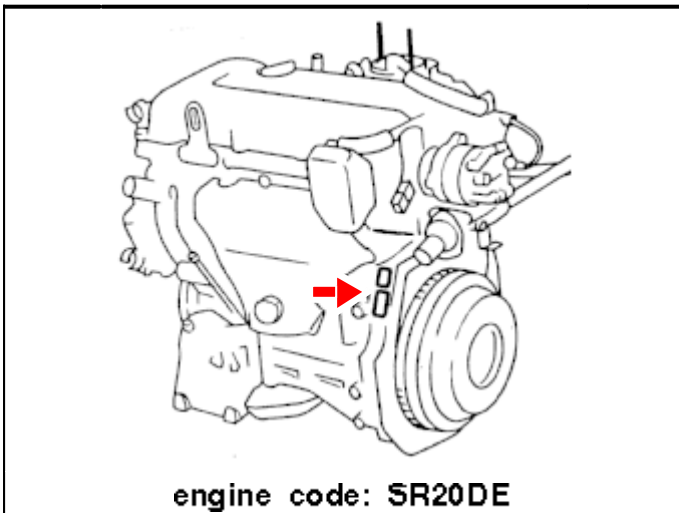
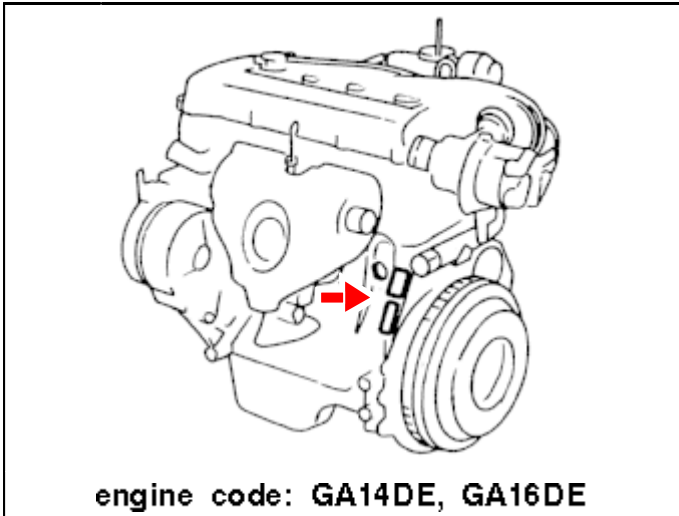


5 door hatchback



## Engine

### – Petrol engines

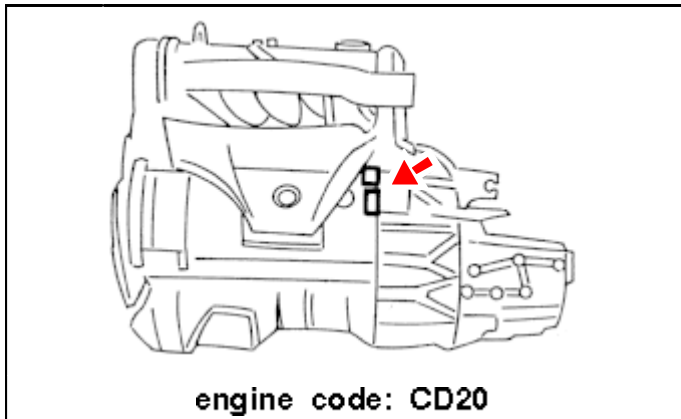


GA14DE	
cubic capacity	1392 cm <sup>3</sup>
power output	64 kW / 87 hp
engine management	multipoint injection with electronic ignition
features	3 way catalytic converter; EGR system; evaporative emission control system

GA16DE	
cubic capacity	1597 cm <sup>3</sup>
power output	73 kW / 100 hp
engine management	multipoint injection with electronic ignition
features	3 way catalytic converter; EGR system; evaporative emission control system

SR20DE	
cubic capacity	1998 cm <sup>3</sup>
power output	107 kW / 143 hp
engine management	multipoint injection with electronic ignition
features	3 way catalytic converter; EGR system; evaporative emission control system

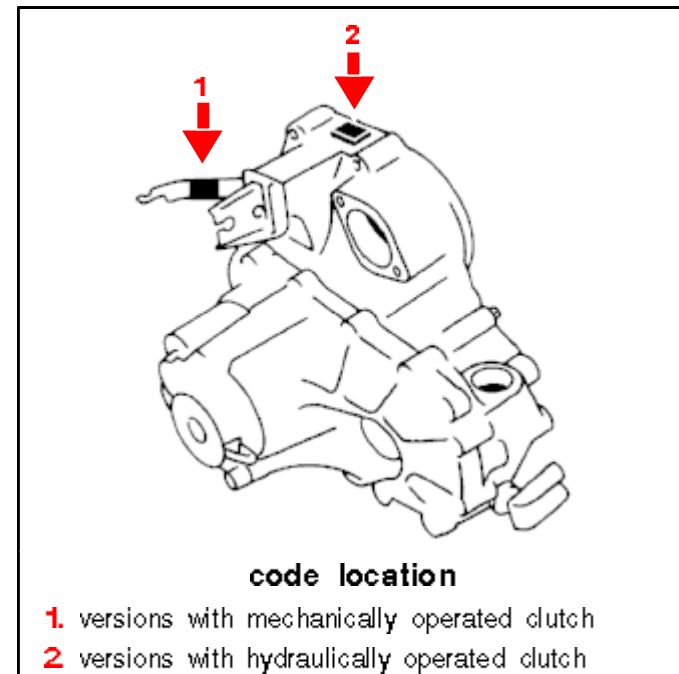
## – Diesel engine



CD20	
cubic capacity	1974 cm <sup>3</sup>
power output	55 kW / 75 hp
fuel system	rotary pump; indirect injection
features	—

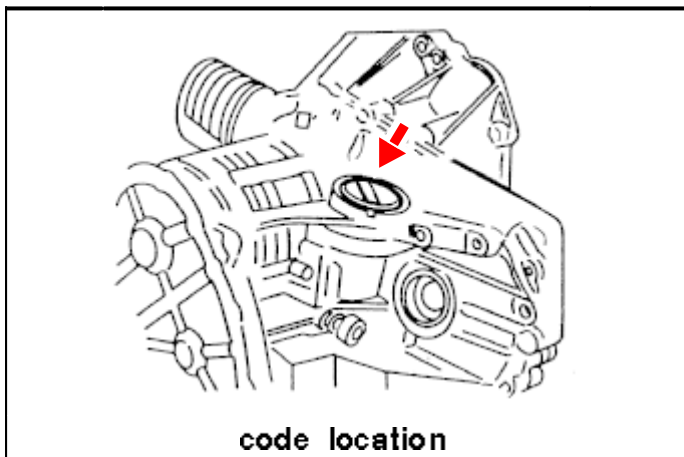
## Driveline

## Transaxle



RS5F30A, RS5F31A, RS5F32A	
make and model	no data available
No. of speeds	5
features	—

## Automatic transmission/differential



<b>RL4F03A</b>	
make and model	no data available
features	4 stage